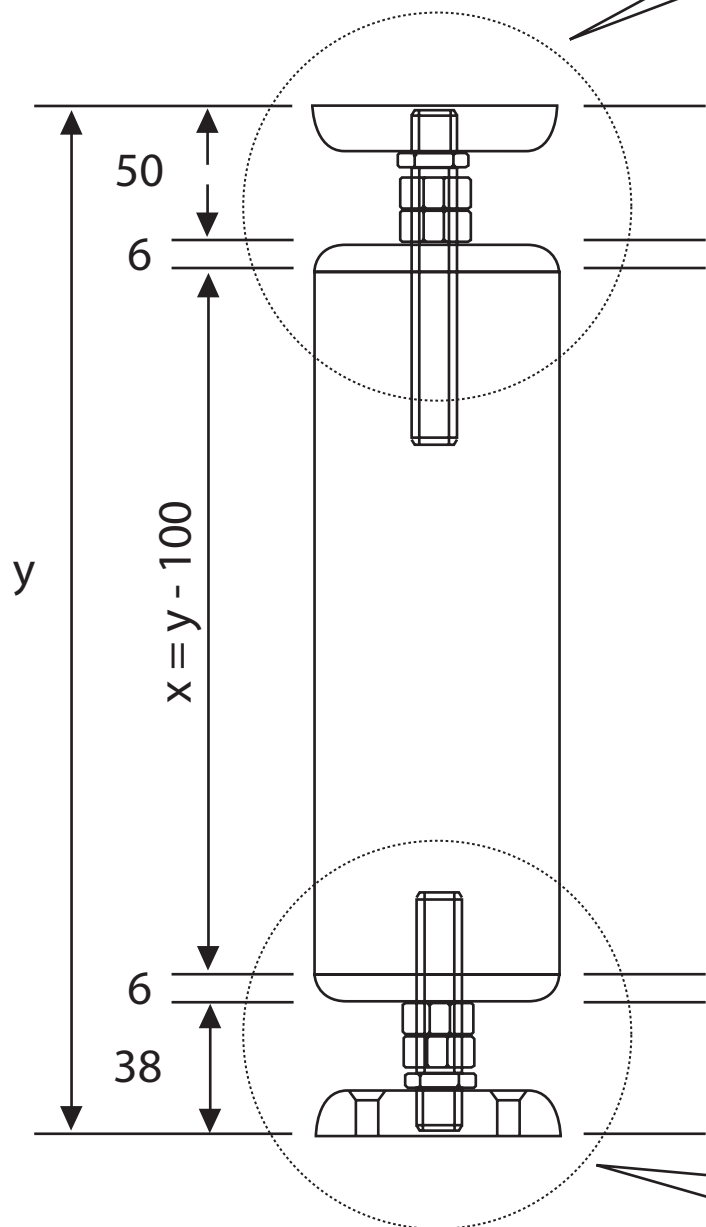


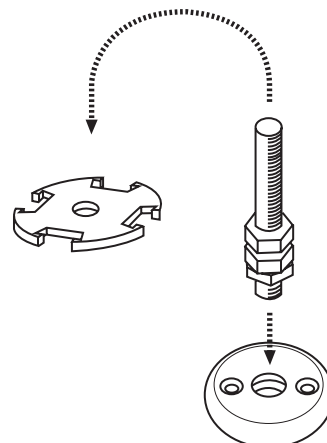
OPSH MAIN PROFILE CUTTING MEASUREMENT

ART No. P01

Main Pole: Length 2.5MT
3.0MT



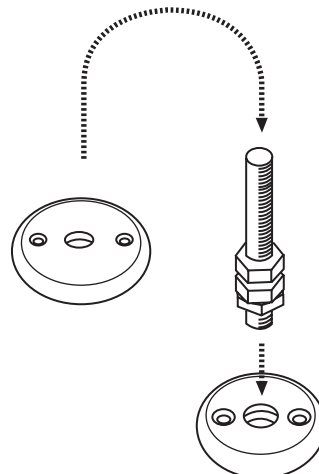
CEILING FIXING SET



ART C-02.04.31

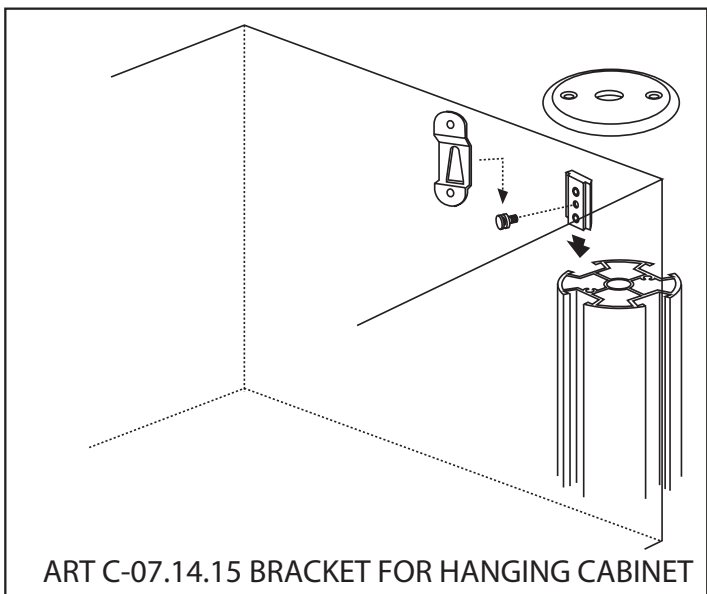
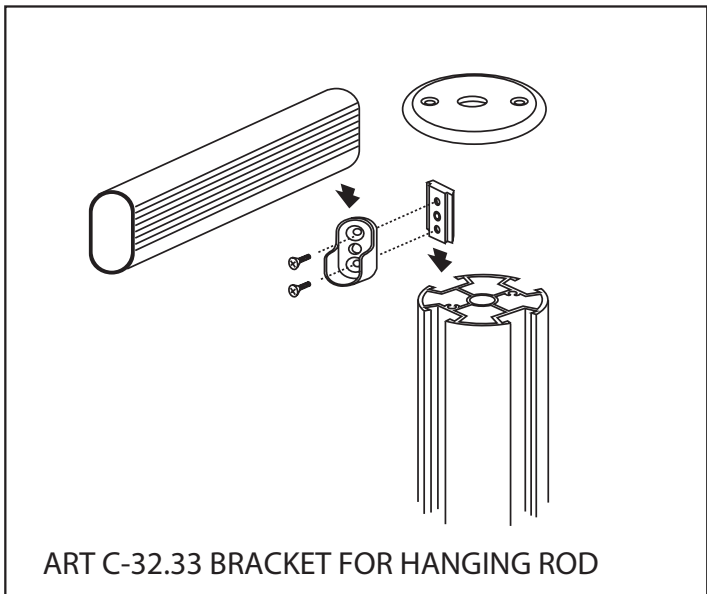
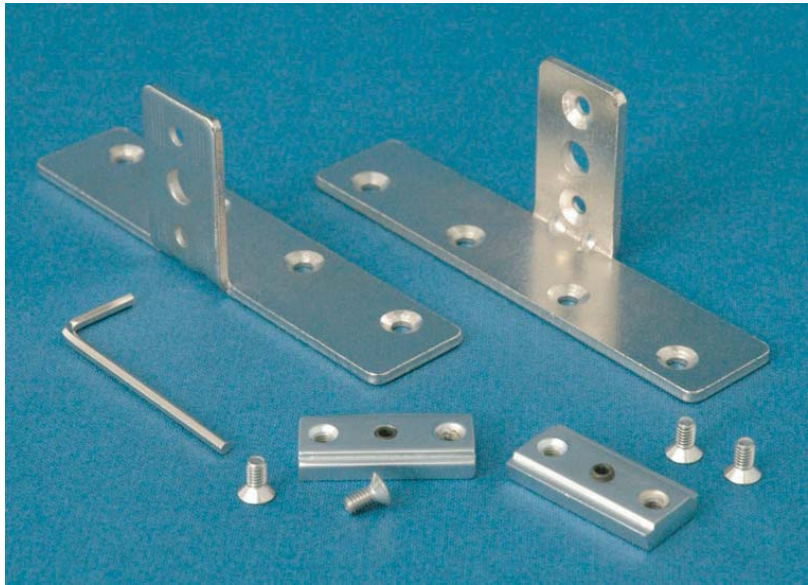
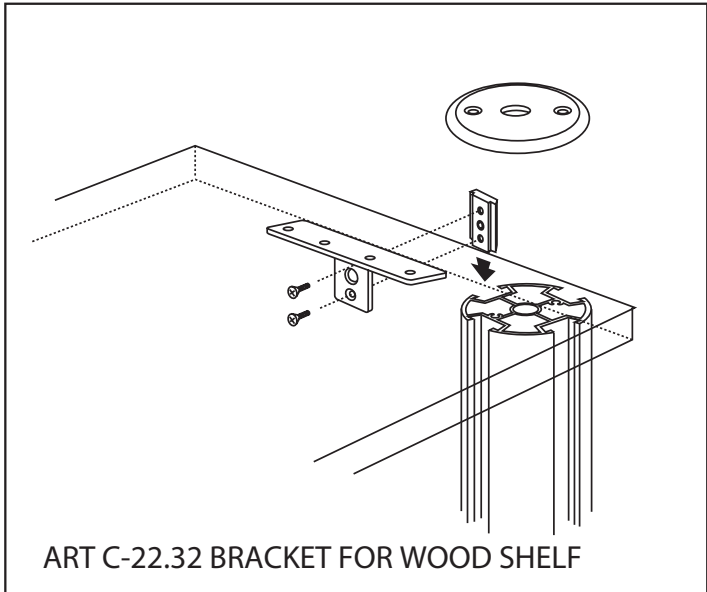


BASE FIXING SET

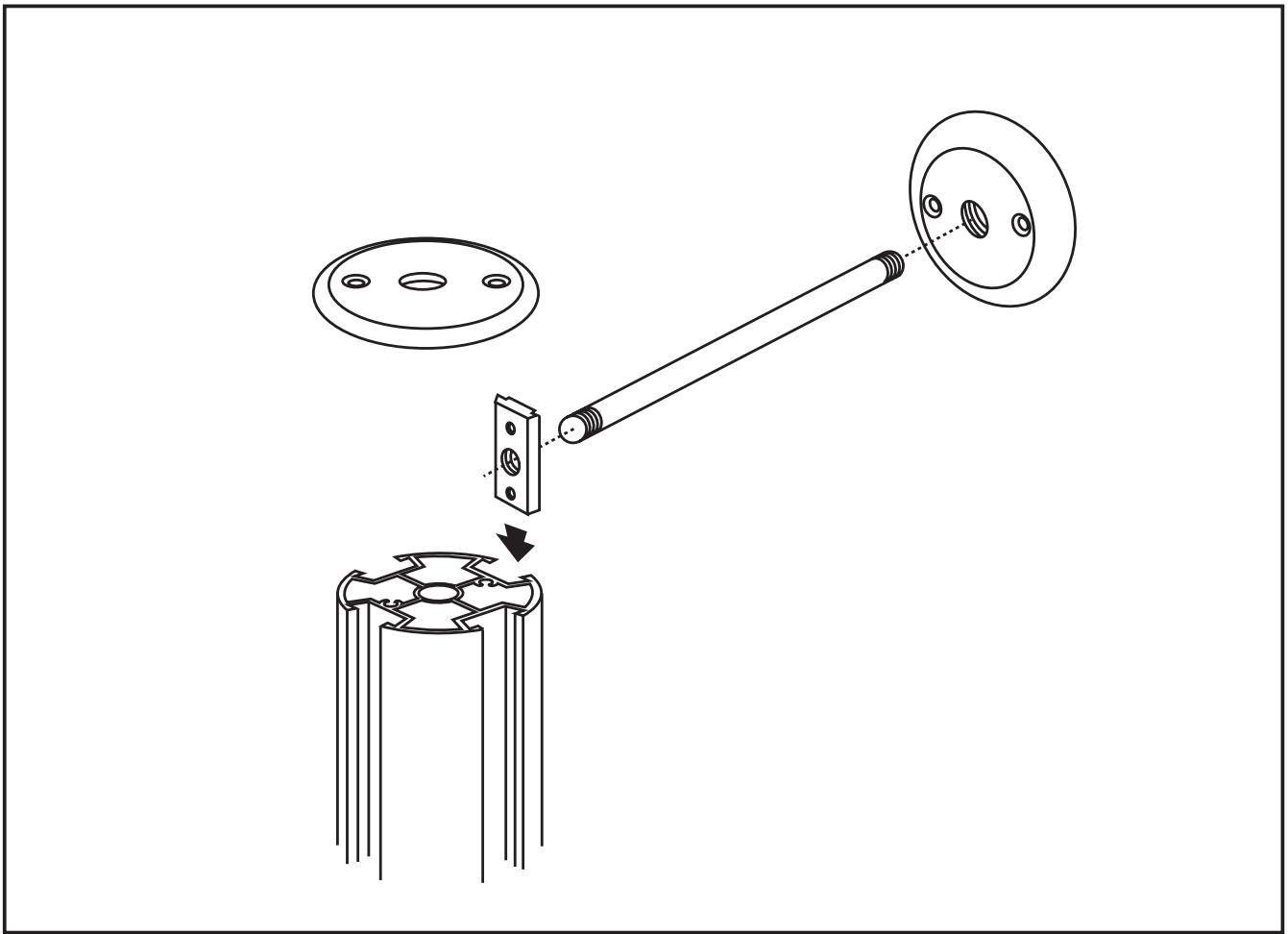


ART C-01.02.04





ART C-02.06.08 WALL FIXING SET





ART S-PA1/2
Aluminium Shelf

ART PB3
Hanging Rod



ART P01
Main Pole: Length 2.5MT
3.0MT